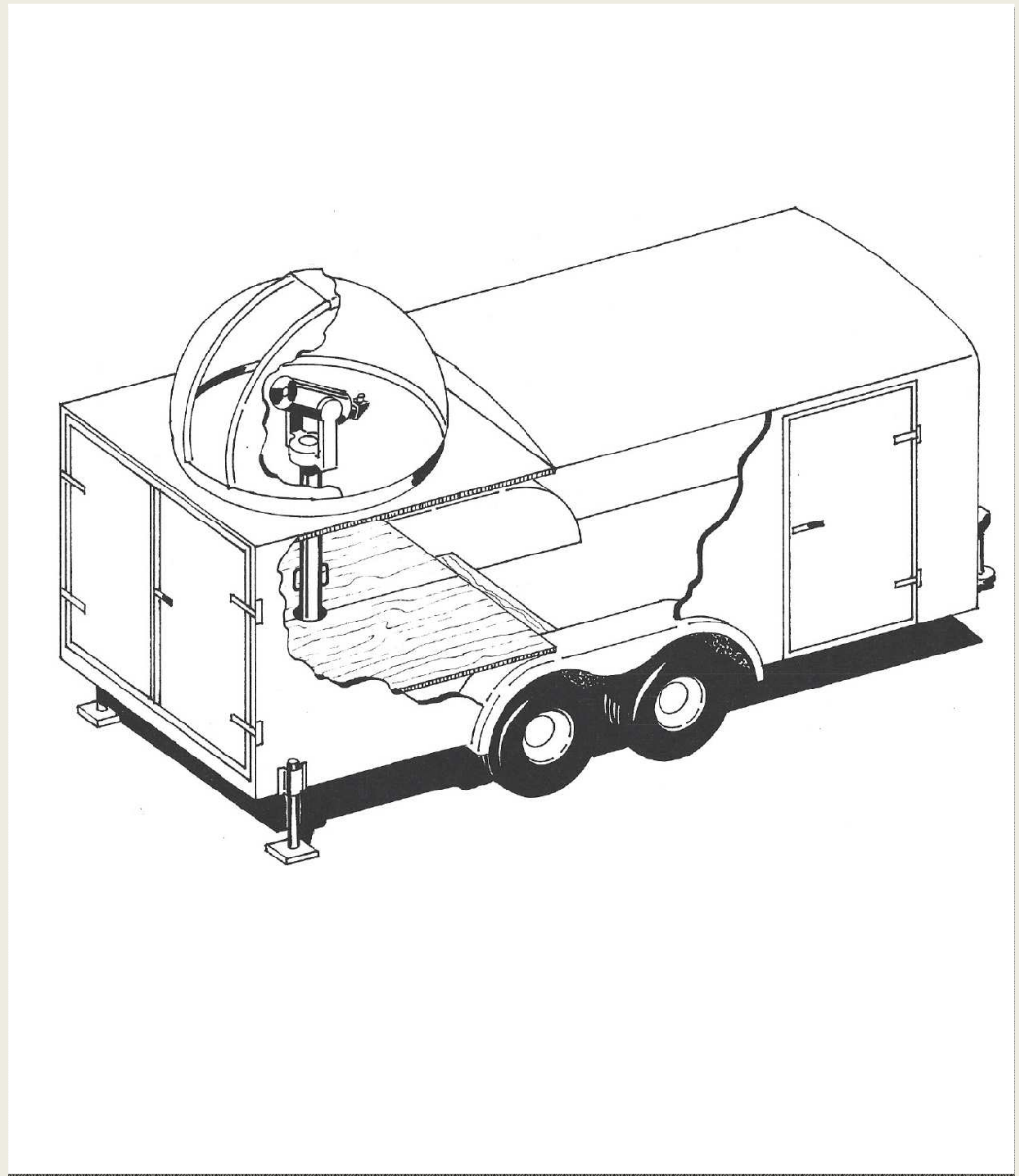


**Popular Astronomy Club
Mobile Observatory
(PACMO)**



The Mobile Observatory Concept

- The basic idea is to bring the observatory to the people, rather than bring the people to the observatory
- Solves the problem of having to find a permanent site
- Increases the likely number of visitors





Roy J. Carver
CHARITABLE TRUST

**Rauch Family
Foundation**















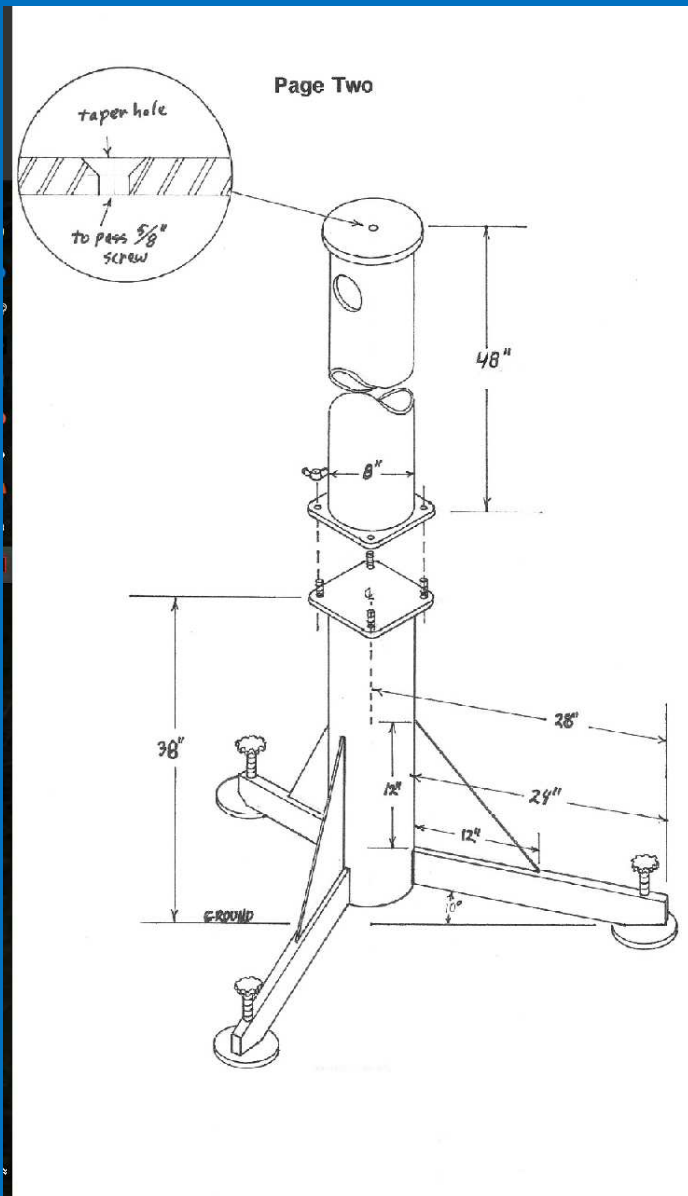
BOHL WEST

MISSISSIPPI LASER • TERRY'S AUTOMOTIVE
CLASSIC CONCEPTS • INDEPENDENT MACHINE

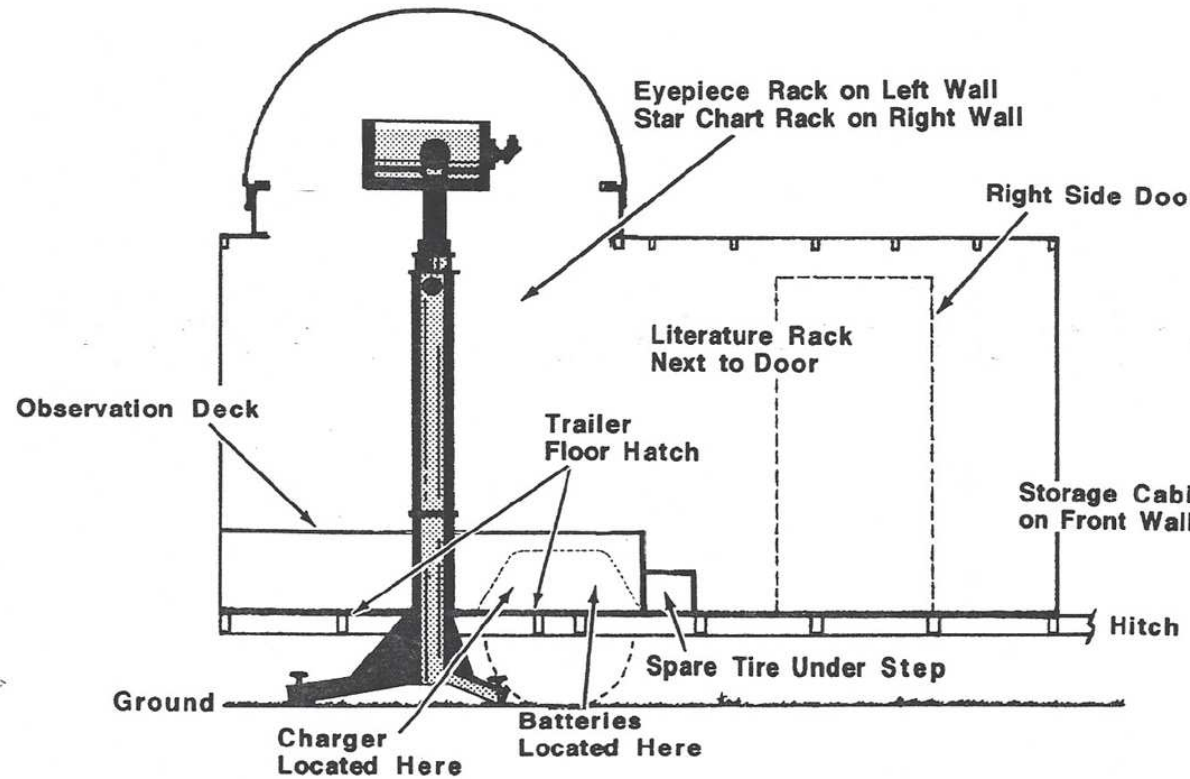
FOR SALE

MISSISSIPPI
CB RN 72



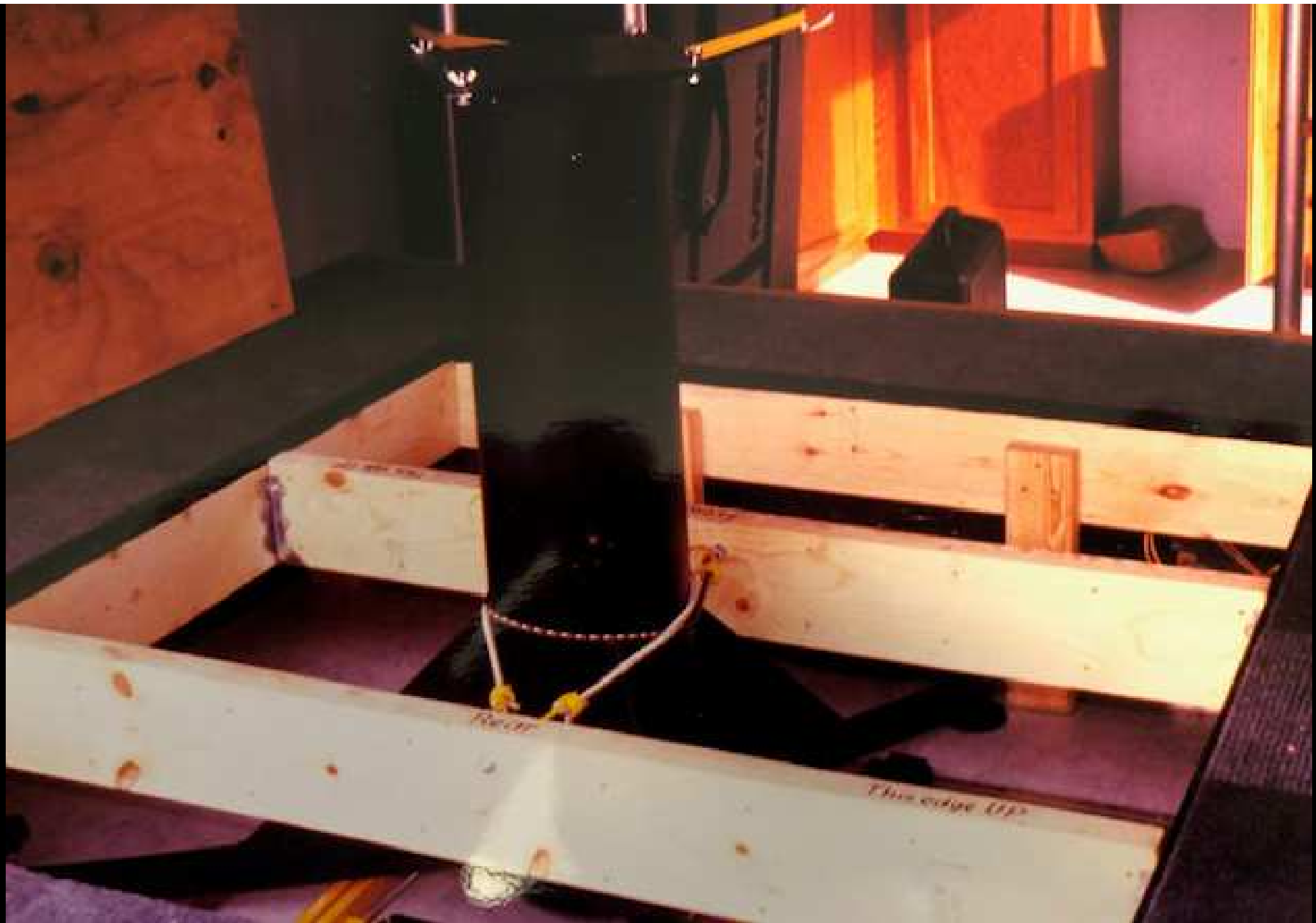


The Pier



Telescope Pier is a custom design fabricated from light-weight aluminum





















POPULAR ASTRONOMY
Est

USA
OBSERVATORY

MOBILE
OBSERVATORY





P
A
C
I
F
I
C
M
O
B
I
L
E
O
B
S
E
R
V
A
T
O
R
Y



MOBILE
OBSERVATORY







Power Supply



In 2011, a small solar panel was added to enable charging the battery when AC power is not available



Exterior Outlet for charging batteries or for operating when AC power is available

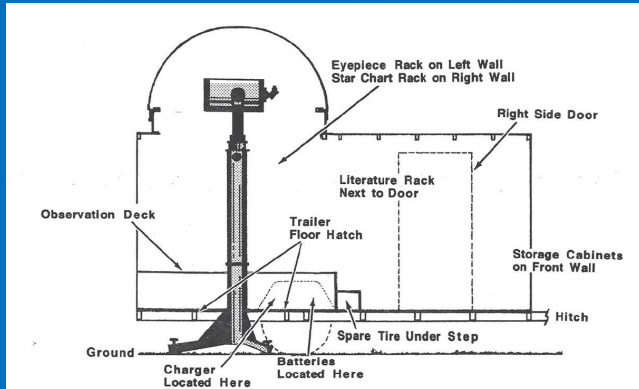


Seen here below the observing floor is the battery charger, AGM battery, and AC power inverter



MOBILE
OBSERVATORY

Features



Looking toward the front of the trailer. Pier is in transport mode. One half of the Observing Deck Access Door is shown open.



Looking toward rear of trailer when it is ready for transport. Telescope is in the carrying case. Outside step is placed next to upper pier, the ladder is folded and lies flat.